

CODE NUMBER

3400322

DESCRIPTION

0.125 gpf, Filtered, Brushed Nickel Finish, Fixture Connection Rear Spud, Single Flush, Integrated Control Stop, 3.25-4.25 L Dimension, Adjustable Flush Connection Outlet Tube, Electrical Override, Battery with Hardwired Option, Sensor-Operated, Short V500A & Adjustable Flush Connection Vacuum Breaker, Front Accessible Wall Box, CX Concealed Sensor Urinal Flushometer.

DETAILS

- Flush Volume: 0.125 gpf (0.5 Lpf)
- Finish: Brushed Nickel (BN)
- Power Type: Battery with Hardwired Option ()
- Battery Life: 5 years
- Valve: Piston
- Bypass: Filtered ()
- Valve Body Material: Semi-red Brass
- Fixture Type: Urinal
- Fixture Connection: Rear Spud
- Rough-In Dimension: 12 5/8" (321mm)
- Spud Coupling: 3/4" (19mm)
- L Dimension: 3 1/4"-4 1/4" (83-108mm) ()
- Override: Electrical (OR)
- Wall Box: Front Accessible ()
- Control Stop: Integrated ()
- Vacuum Breaker: Short V500A & Adjustable Flush Connection ()
- Outlet Tube: Adjustable Flush Connection ()

FEATURES

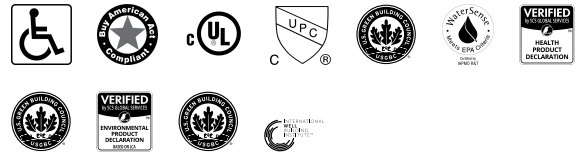
- Fixed volume piston with filtered O-ring bypass
- Front access wall plate requires no rear access plumbing chase
- Sensor activated, hands-free operation
- Battery operated with hardwired option
- Electronic override button
- Low battery indicator light
- Vandal resistant wall plate
- Adjustable flush connection

VIDEOS

- ▶ CX Flushometer Product Video
- ▶ CX Flushometer - Sensor Installation
- ▶ CX Flushometer - Sensor Vacuum Service
- ▶ CX Flushometer - Sensor Piston Service
- ▶ CX Flushometer Product Video (Spanish)



COMPLIANCES & CERTIFICATIONS



(ADA Compliant, BAA Compliant, cUL Certified, cUPC Certified (Requires use of listed vacuum breaker that complies with ASSE 1001), LEED V4 Water Efficiency Credit, WaterSense Listed, HPD, LEED Materials & Resources HPD Credit, EPD, LEED Materials & Resources EPD Credit, WELL Building Standard)

RECOMMENDED SPECIFICATION

Valve shall be concealed with front access plate smaller than 10" x 10" and shall have integrated control stop. Valve body shall be in compliance with ASTM Alloy Classification for Semi-Red Brass. Valve shall be in compliance to the applicable sections of ASSE 1037.

ELECTRICAL SPECIFICATIONS

- Arming Delay: 8 seconds
- Battery Life: 5 years
- Control Circuit: 6 VDC Input/Solid State
- Flush Delay: 1s
- Self-Adaptive Window: ±10
- Sensor Range: 15" - 34" (381-864mm)
- Solenoid Operator: 6 VDC
- Transformers:
 - EL-386 (Up to 1 flushometer)
 - EL-451 (up to 6 flushometers)

VALVE OPERATING PRESSURE (FLOWING)

20-80 PSI (138-552 kPa). Specific fixtures may require greater minimum flowing pressure - consult manufacturer requirements.

DOWNLOADS

- [CX 8158 / 8198 Installation Instructions](#)
- [CX 8158 / 8198 Repair and Maintenance Guide](#)

 PVD Special Finishes

- [Additional Downloads](#)

NOTES

All information contained within this document subject to change without notice.

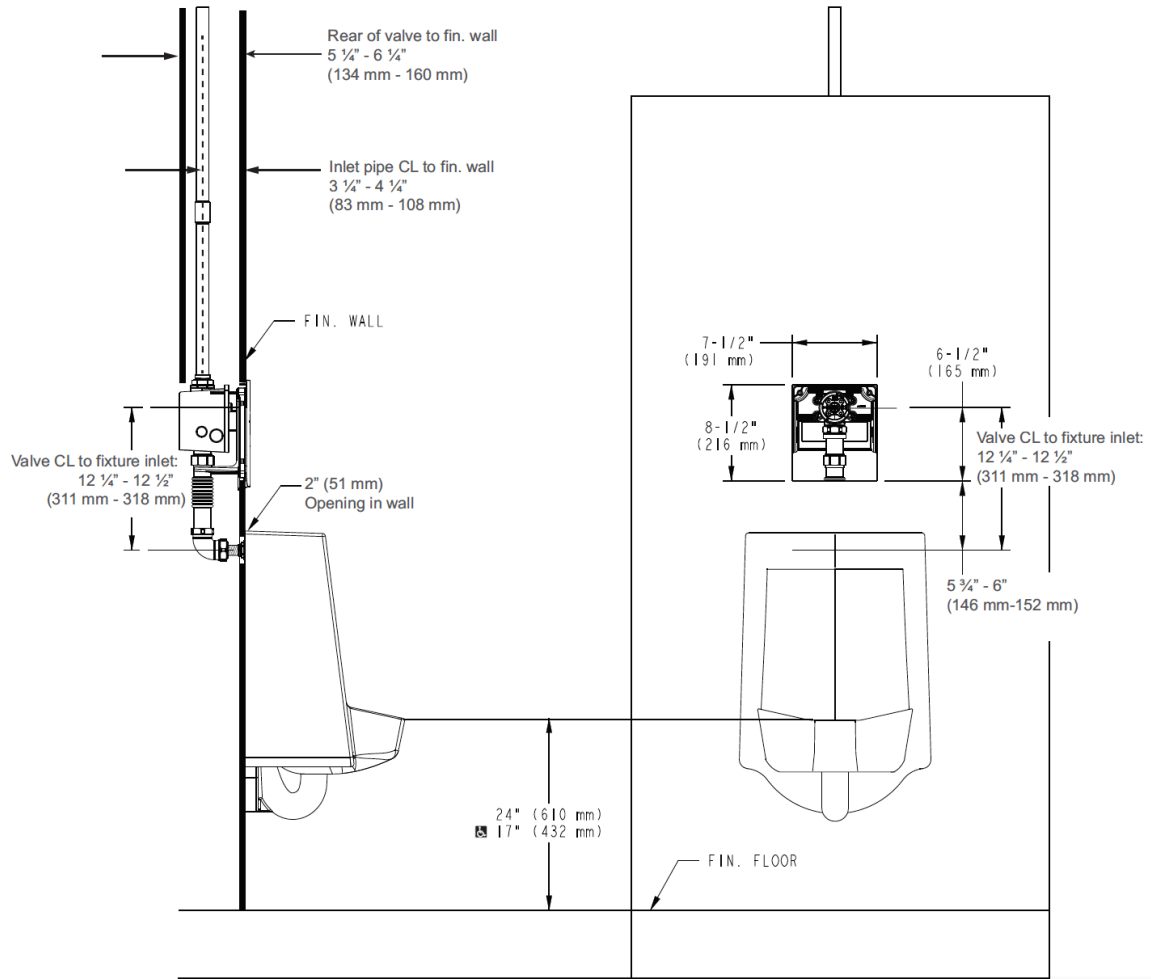
Looking for other variations of the CX 8198 product? [View the general spec sheet with all options.](#)

[Find a compatible urinal](#) for this flushometer.

[Find a compatible water closet](#) for this flushometer.

WaterSense compliant when used with a WaterSense compliant fixture

ROUGH-IN



Sloan 10500 Seymour Ave, Franklin Park, IL 60131
Phone: 800.982.5839 • Fax: 800.447.8329 • sloan.com